

ION`X®

Rely on • quality • know-how • performance

| ION`X® HV ROUND MAGNETRONS

- INTRODUCTION
- SPECIFICATIONS
- OPTIONS
- ACCESSORIES



THIN FILM CONSULTING 

→ ROUND MAGNETRONS → UHV MAGNETRONS → RECTANGULAR MAGNETRONS
→ ROUND MAGNETRONS → UHV MAGNETRONS → RECTANGULAR MAGNETRONS

PLANAR MAGNETRON SPUTTERING SOURCE ION`X-10"HV

» INTRODUCTION



- 10" target diameter
- DN 320 ISO-K flange
- optional DN 63 ISO vacuum interface

ION`X®

Rely on • quality • know-how • performance

» PRODUCT OVERVIEW

HIGH VACUUM MAGNETRON				
ITEM	SIZE	PART NUMBER	DESCRIPTION	VACUUM INTERFACE
6.1	10" Ø	IX10_A120	<ul style="list-style-type: none"> • 10" magnetron with DN 63 ISO • targets 8–16 mm thick • discrete target clamp • indirect cooling • water tubes 10/8 mm • power connector screw terminal • reference drawing IX10_8A120 	DN 63 ISO
6.2	10" Ø	IX10_B120	<ul style="list-style-type: none"> • 10" magnetron on DN 320 ISO-K • targets 8–16 mm thick • discrete target clamp • indirect cooling • water tubes 10/8 mm • power connector screw terminal • reference drawing IX10_8B120 	DN 320 ISO-K

ACCESSORIES				
		SK 6350	• adapter ISO 63 - KF 50	
		SK 6340	• adapter ISO 63 - KF 40	
			• other ISO hardware on request	



2" HV
 3" HV
 4" HV
 6" HV
 8" HV
 10" HV

» SPECIFICATIONS

10" HIGH VACUUM MAGNETRON	
Model No.	IX10_9200
Target	
< form	circular/planar
< diameter	10" ± 0.5 mm
< thickness	8 mm to 16 mm
< cooling	indirect
Working pressure	argon
< nonmagnetic targets	3 x 10 ⁻³ to 1 x 10 ⁻¹ mbar
< best performance	5 x 10 ⁻³ to 5 x 10 ⁻² mbar
< vacuum sealing	FPM
Electrical specifications	
< max. power, watts DC/RF	15 kW DC / 5 kW RF * **
< max. voltage DC	1000 V
< max. current DC	25 A DC
Power connector	
< DC/RF	screw terminal
Cooling water	
< flow	0.5...1 l / (min x kW)
< min. flow	2 l/min
< max. inlet temperature	≤ 30 °C
< max. pressure	≤ 2 bar open drain
< Ø tubes	Ø 10 x Ø 8 mm PTFE

10" HIGH VACUUM MAGNETRON

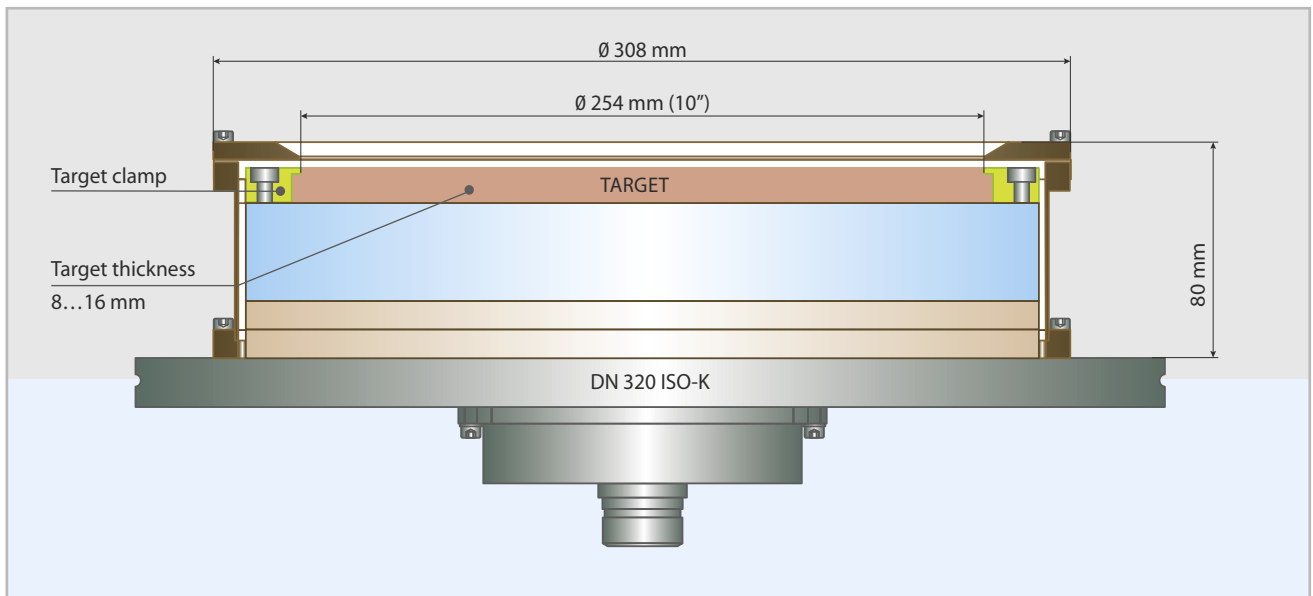
Magnet array	multipolar NdFeB
Bakeout temperature	
< max. temperature	60 °C
Magnetron dimensions	
< diameter	370 mm
< height	70 mm (78 mm)
< weight	42 kg
Interface	DN 320 ISO K
Proposed mounting style	DN 320 ISO K
Construction materials	stainless steel OFHC - type copper Al2O3, PTFE
Typical rates	
	Al, 60 Å/s, 5 kW DC, 75 mm
	Ti, 35 Å/s, 5 kW DC, 75 mm
Accessories & Options	
< mounting option	other flanges on request
< quick coupling feedthrough	-
< argon injection	✓
< RF connector	**
< magnet array for magnetic materials	on request
< ± 30° tilt	-
< SS target clamps for specified thickness	✓
< SS target clamps for bond targets	✓

* This value refers to the magnetron itself. The maximum power is determined by the target material and bonding technique.

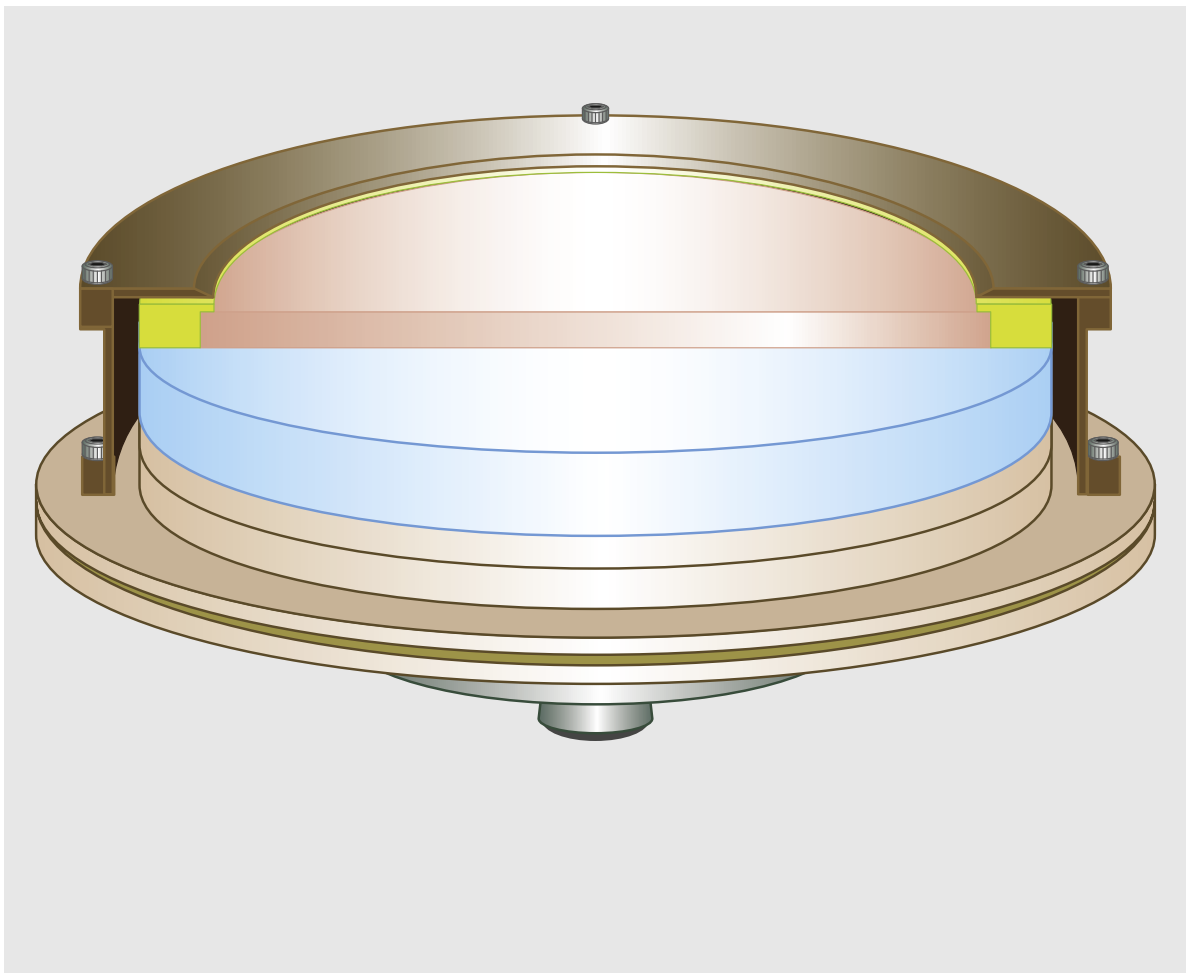
** RF-Version requires special connector and installation. More details on request.

ASSEMBLY VIEW

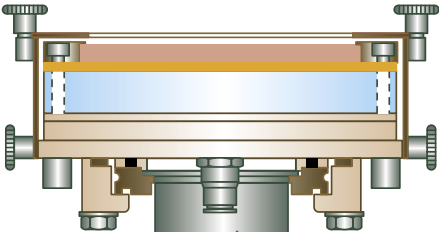
IX10_8B120



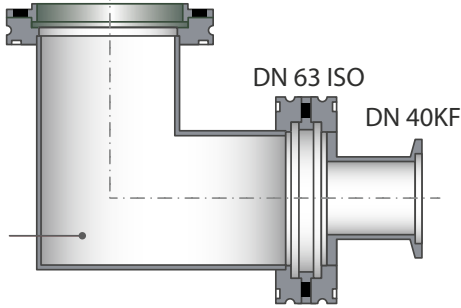
PLANAR MAGNETRON SPUTTERING SOURCE ION'X-10" HV



MOUNTING OPTIONS ISO 63



continue with ISO 63 hardware tubes, bellows or 90° Elbows



90° Elbows

DN 63 ISO-K

Flanged below

DN 63 ISO-F

DN 63 ISO-K Adapter DN 50KF

continue with KF 50 hardware tubes, bellows or 90° Elbows

DN 63 ISO-F tapped M8

chamber wall

water lines

power cable

VACUUM SIDE

AIR SIDE

wall feedthrough

custom made flange

VACUUM SIDE

AIR SIDE

VACUUM SIDE

AIR SIDE

ION`X®

Rely on • quality • know-how • performance

THIN FILM CONSULTING

Hermann Gebhardt

Robert Bosch Str. 11
D-72661 Grafenberg
GERMANY

Tel.: +49 (0) 71 23/9 36 66

Fax: +49 (0) 71 23/93 66 89

E-Mail: info@thfc.de

Web: www.thfc.de



THIN FILM CONSULTING 

→ ROUND MAGNETRONS → UHV MAGNETRONS → RECTANGULAR MAGNETRONS
→ ROUND MAGNETRONS → UHV MAGNETRONS → RECTANGULAR MAGNETRONS